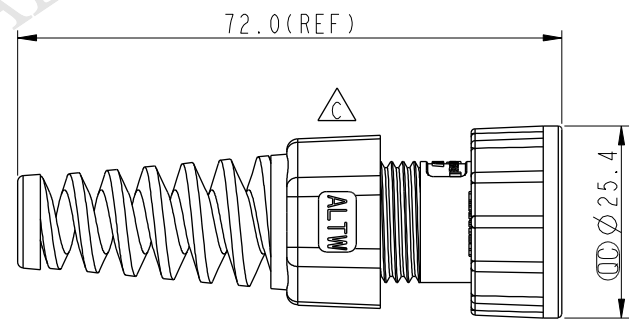
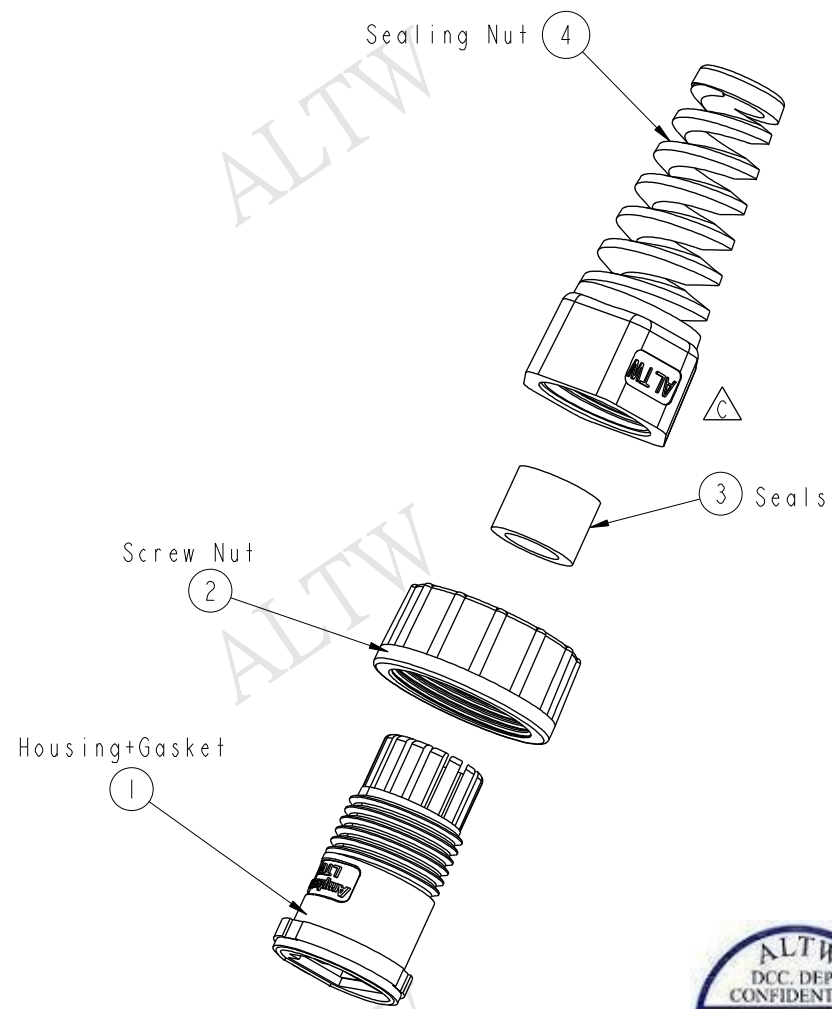


THIS DOCUMENT IS SUBJECT TO CHANGE WITHOUT NOTICE. IT IS CONFIDENTIAL AND A PROPERTY OF Amphenol LTW. DISCLOSURE TO THIRD PARTY HAS TO BE AUTHORIZED BY Amphenol LTW.

REV.	ECN NO.	DATE	SIGN	DESCRIPTION
B	LE31490138	2014-09-01	Joyy	Change to 94v0 material
C	LEN15A0376	2014-12-24	Jinhai	Change Logo



**ALTW**  
 CONFIDENTIAL  
 2014-12-24  
 R&D DEPT.

**ALTW**  
 DCC. DEPT.  
 CONFIDENTIAL  
 2015.10.22  
 ISSUED

- Note:
- \*  $\varnothing$  Important Dimention To Check
  - \* Waterproof Rate: IP67(Mating)
  - \* Housing: Nylon66, Black
  - \* Gasket: Silicone, Gray
  - \* Screw Nut: NYLON+GF, Black
  - \* Sealing Nut: Nylon66, Black.
  - \* Seals: Silicene, Gray.
  - \* Seals For Cable OD  $\varnothing$ 4.5mm~ $\varnothing$ 6.5mm
  - \* One Set Unassembled On One PE Bag.

UNIT: mm		
TOLERANCE		
.X	±0.25	
.XX	±0.1	
.XXX	±0.05	
ANGLES	±1°	

TITLE RJ45 ASSY,CSIZE,13/16" WITH SR			
SCALE 1:1	SIZE A4	SHEET 1 OF 1	
REV. C	WC-REV. A.10	$\varnothing$ : Inspection item	

**Amphenol LTW**  
 安費諾亮泰企業股份有限公司

ITEM NO. RCP-00AMMA-SLM7001	DRAWN BY Jinhai	DATE 2014-12-24
DWG NO. RCP-00AMMA-SLM7001	CHECKED BY Tom	DATE 2014-12-24
CUSTOMER ALTW	APPROVED BY Jerry	DATE 2014-12-24